



Fast.
Smart.
Rugged.

EV CHARGERS

DC CHARGING SOLUTIONS

Cutting-edge With Sleek Design Range Of Eco-friendly Charging For Electric Vehicles



REXX 120KW

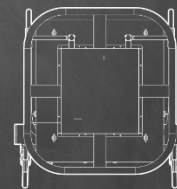
EV FAST CHARGER

Specifications

Charging Type	DC CHARGER CCS2
Charging Interface	CCS2 Europe
Output Power	120 kW DC
Communication with EV	PLC
Output Voltage	200 - 1000 Vdc
Input Voltage	400 V / 3-phase
Rated Frequency	50 Hz / 60 Hz
Max. Output Current CCS2 Side	0 - 250 A
Simultaneous Charging	2 Power Outlets (Splitting in step of 30kW)
Cable Length	5 m
Efficiency	≥ 95%
Power Factor	≥ 0.99
RCD Protection	Type A
Temperature Detection	Temperature Detection Sensor (Real Time)
Executive Standard	IEC 61851; IEC 62196; ISO 15118; DIN 70121
User Authentication	RFID/NFC (credit) /APP
Human-Machine Interface	7" Colour Touch Display
Communication Protocol	OCPP 1.6J for Payment Platform
RFID Reader	Yes
Payment Method	Swiping/Credit Card
Materials	Powder-coated Stainless-steel Housing
Dimensions (mm)	950 x 5500 x 2324
Weight	400 kg
Meter Type	MID Certified
Meter Display	Digital Display

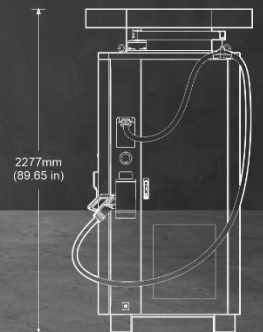
FEATURES

30 kW Modular Power Converters for Higher Redundancy



1074mm
(42.28in)

1174mm
(46.22in)



2277mm
(89.65 in)

900mm
(45.0in)

998mm
(49.3in)

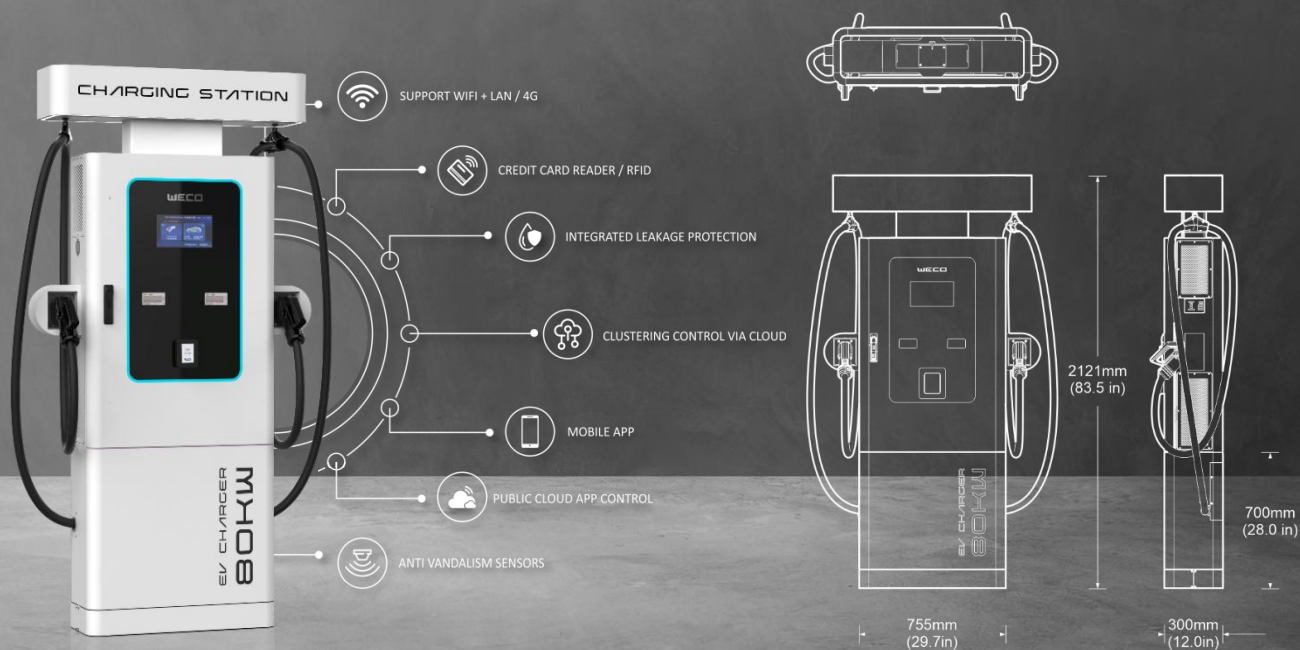
REXX

80kW DC CHARGER



Specifications

Product Model	REXX-80 kW
Input Phase Wiring	Five-wires L1 L2 L3 N GND
Rated Input Voltage	Three-phase 380 VAC
Input Voltage Range	260-485 VAC
AC Power Frequency	45 – 65 Hz
Power Factor	≥ 0.99 (at Full Load)
Rated Power	80 kW (40 kW * 2)
DC Voltage Output Range	150 – 1000 V
Output Current Range	5 – 200 A
Charger Interface Type	CCS2, Cable
Standby Power	< 100 W
Efficiency	> 94%
Current THD	≤ 5%
Load Management	Smart, Dynamic Adjustment Of The DC Power Output
Communication Protocol	OCPP 1.6J
Connectivity	Bluetooth, Wi-Fi, Ethernet, 4G, CAN, RS485
User Authentication	APP, RFID, Credit Card, QR Code
Payment	Contactless, Magnetic, QR Code
Remote Management	WeCo Monitoring and Support
Human-Machine Interface	App, Led, Touchscreen 10.1 Inch
Noise	≤ 65 dB
Operating Temperature	-20 °C -50 °C
Ingress Protection	IP65
Elevation	≥ 2000 m
Dimensions (mm)	755 x 2121 x 300
Weight	286 kg



EV CHARGERS

DC CHARGING SOLUTIONS



A Family Of Eco-friendly Charging For Electric Vehicles



WeCo Srl a Socio Unico
Viale J. F. Kennedy 113-121
50038 Scarperia e San Piero
Firenze, Italy

weco@wecobatteries.com
www.wecobatteries.com

